

## ELECTRIC TREATMENT TABLE



### TECHNICAL FEATURES



2-section table

Length:	195 cm
Width:	66 cm
Height:	46-94 cm
Weight:	65 kg
Max. Load:	225 kg
Motors:	1
Foam thickness:	5 cm
Density:	36 kg/m <sup>3</sup>
Upholstery:	MED PVC ● ●

### CERTIFICATIONS



- 93/42/EEC Medical Device Directive

### MOTOR FUNCTIONS



- Height (flat position): 46-94 cm

### MANUAL FUNCTIONS



- Backrest (-20° to +70°) inclination by gas lift

### INCLUDES



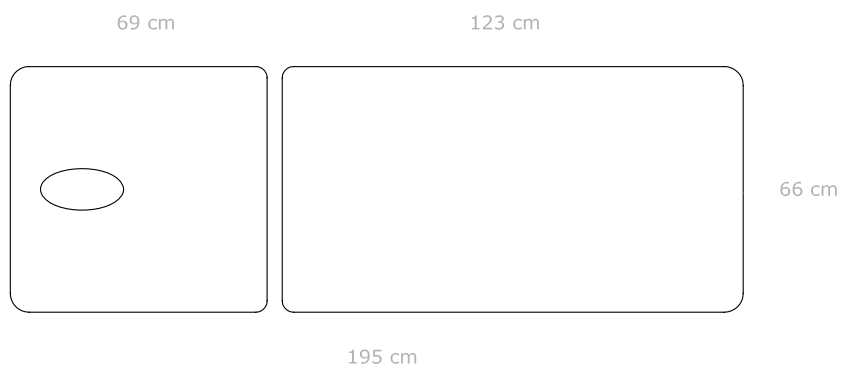
- Peripheral switch for height
- Medical control box
- Breather hole
- 4 retractable big wheels system for easier movement
- Paper roll holder



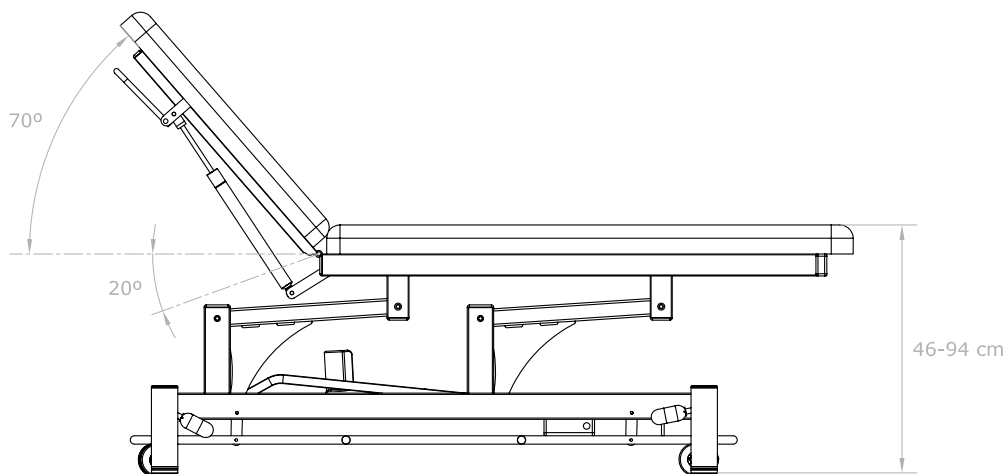
# Watsu

→  
TECHNICAL DATA SHEET

ELECTRIC TREATMENT TABLE



**KG** 225 kg  
max



[www.diagenti.com](http://www.diagenti.com)  
[office@diagenti.com](mailto:office@diagenti.com)  
+359884959503

ОБОРУДВАНЕ ЗА БАЛНЕО / СПА / УЕЛНЕС ЦЕНТРОВЕ / КОЗМЕТИЧНИ САЛОНИ / ФИТНЕС ЗАЛИ